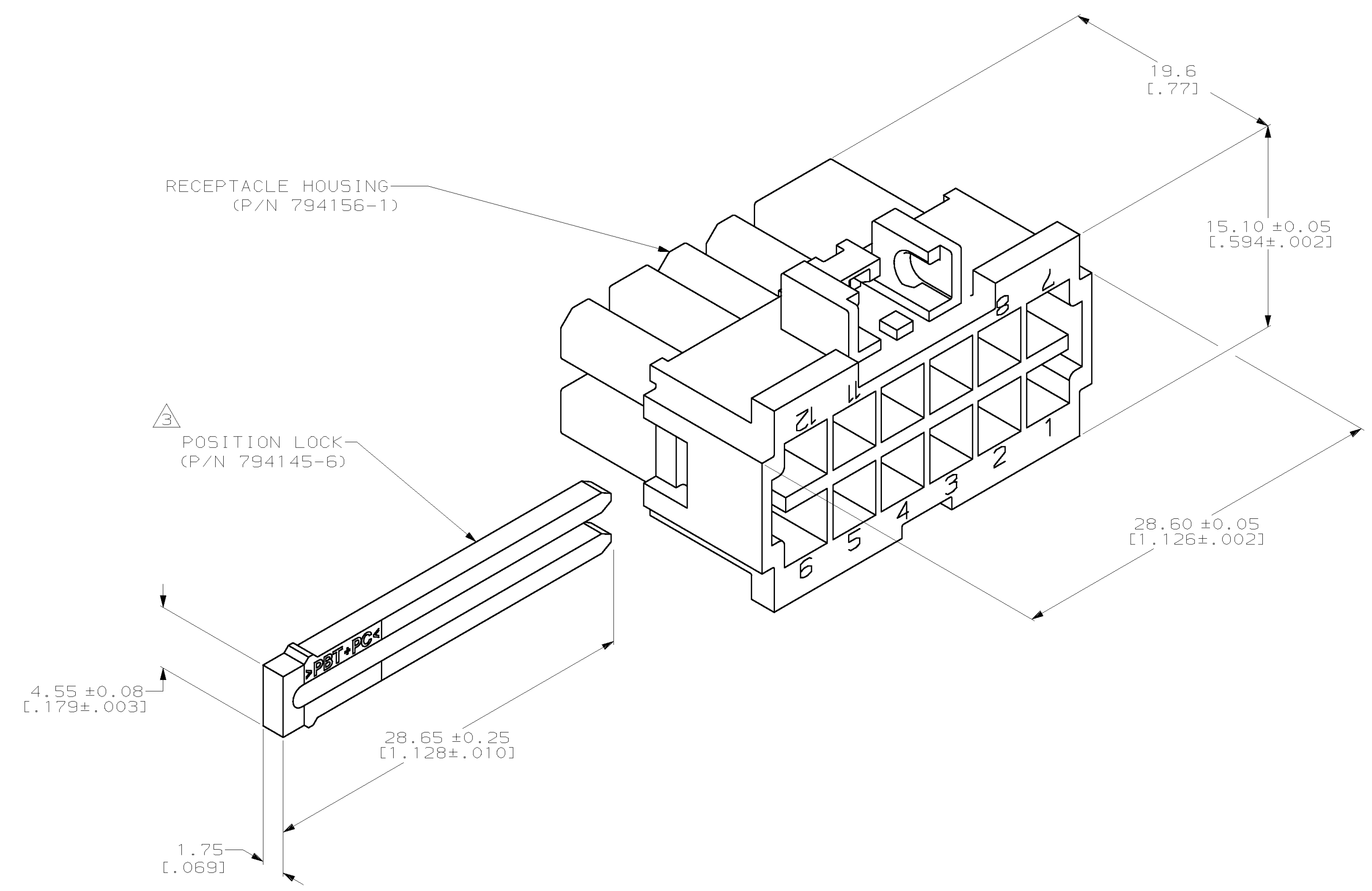


LOC	QTY	REV	DESCRIPTION	DATE	OWN	APVD
CM	53					
C		REV PER EC	OL30-0233-97	12-8-97	JH	RS

- BULK KITS CONSIST OF BAGS WHICH CONTAIN EQUAL QUANTITIES OF RECEPTACLE HOUSINGS AND POSITION LOCKS.
- RECEPTACLE HOUSINGS AND POSITION LOCKS MAY BE ORDERED SEPARATELY.
 RECEPTACLE HOUSING P/N: 794156-1
 POSITION LOCK P/N: 794145-6
- TERMINAL MUST BE INSERTED INTO RECEPTACLE HOUSING SO THAT THE TOP OF THE WIRE AND INSULATION CRIMPS FACE THE INTERIOR OF THE HOUSING. INSTALL POSITION LOCK AFTER FULLY SEATING ALL TERMINATED AMP-DUAC™ SOCKET CONTACTS AND KEYING RECEPTACLES. POSITION LOCK MAY BE INSTALLED IN EITHER SIDE OF THE RECEPTACLE HOUSING.
- DIMENSIONS IN BRACKETS ARE IN INCHES.



794322-1
PART NUMBER



THIS DRAWING IS A CONTROLLED DOCUMENT.		OWN: R. VESTAL 9-09-97	AMP AMP Incorporated Harrisburg, PA 17105-3608
DIMENSIONS: mm		CHK: R. SWING 9-09-97	
TOLERANCES UNLESS OTHERWISE SPECIFIED:		APVD: C. CASH 9-09-97	KIT, BULK, RECEPTACLE HOUSING AND POSITION LOCK, 12 CIRCUIT, AMP-DUAC/PL™ POWER CONNECTOR
1. PLC ±0.2(-0.1)		NAME: 108-1646	
2. PLC ±0.13(-0.095)		APPLICATION SPEC: 114-6067	SIZE: A1
3. PLC ±0.13(-0.095)		HEIGHT: -	SCALE: 4:1
4. PLC ±0.13(-0.095)		FINISH: -	SHEET: 1 OF 1
MATERIAL: PBT, UL 94V-0, NATURAL		CUSTOMER DRAWING	REV: C